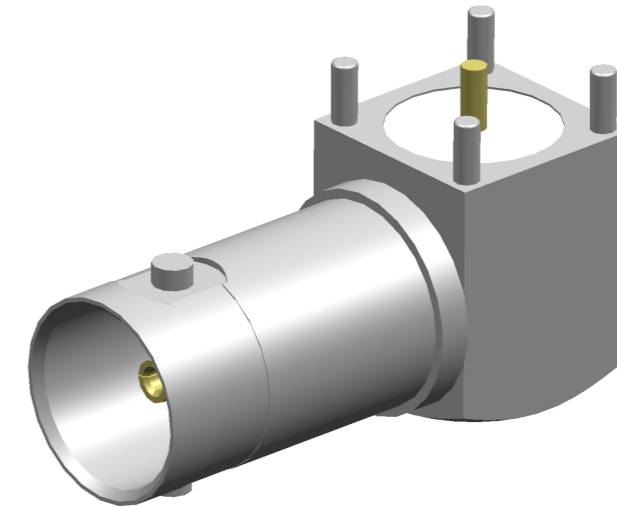
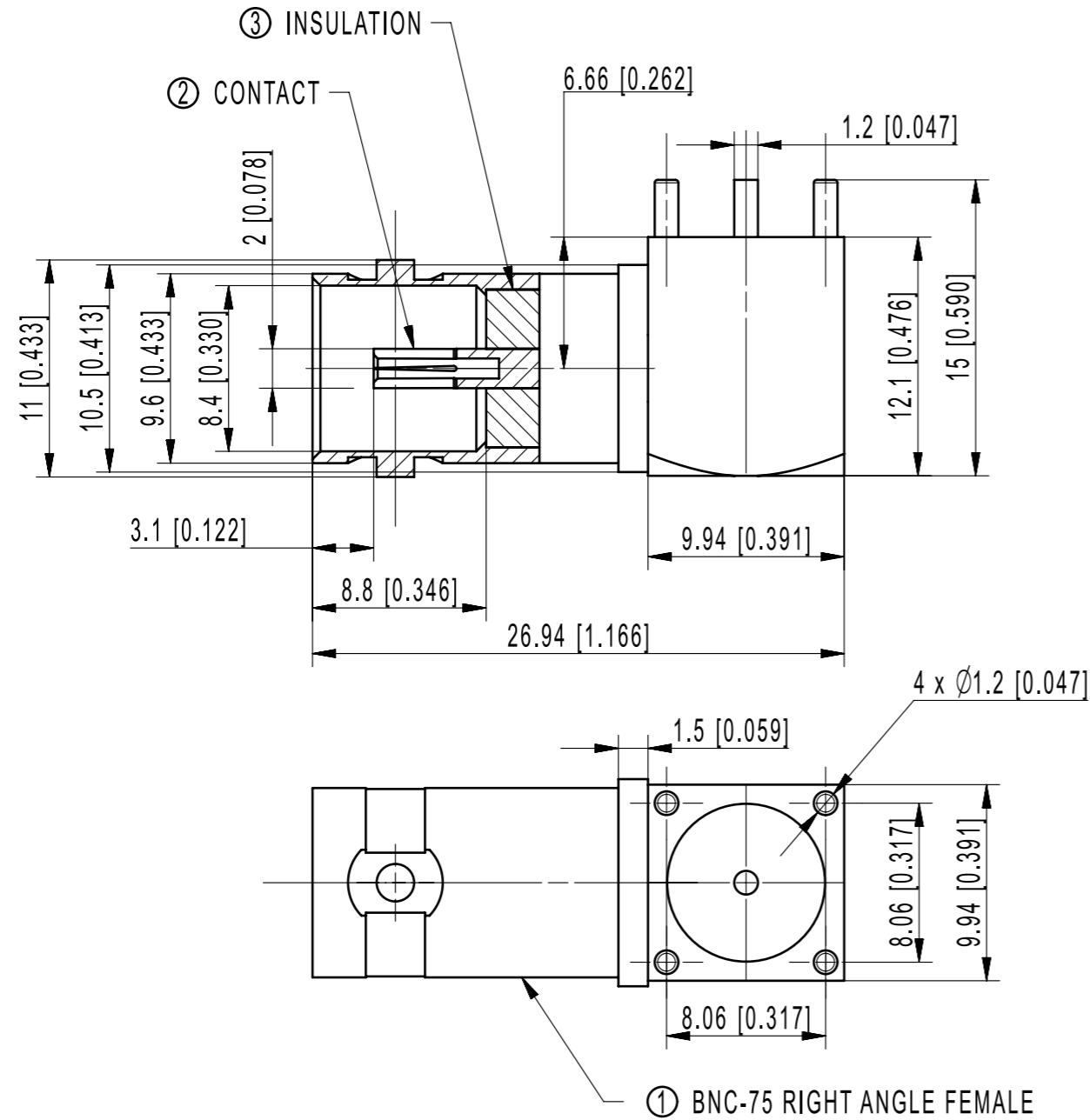


UNIT	DATE	DESCRIPTION
25.4[1.000]	30/03/26	MODIFY DRAWING FORMAT

NOTE:  
 1. IMPEDANCE: 75 Ohms;  
 2. METAL COMPONENTS: NO BURRS, SCRATCHES, OR PLATING PEELING ON SURFACE;



SCALE 3:1

				THIRD-ANGLE PROJECTION		DATE	
						30/03/26	
				APPROVED BY	CHECKED BY	DESIGNED BY	
3	INSULATION	PTFE	NONE	1	ZZP	DZ	LB
2	CONTACT	BRASS	GOLD PLATE	1	30/03/26	30/03/26	30/03/26
1	BNC-75 RIGHT ANGLE FEMALE	BRASS	GOLD PLATE	1	UNITS: mm[IN]	SCALE: N/A	REVISION: A
	DESCRIPTION	MATERIAL	FINISH		TOLERANCE X.X ±0.10 X.XX ±0.05 X° ±0.1°		



**B04-RJPT4-41BS00**

**FOR REFERENCE ONLY**

**SUBJECT TO THE ACTUAL PRODUCT**

Tel:86-0755-25614980  
 Email:info@rfsupplier.com  
 Website:www.rfsupplier.com