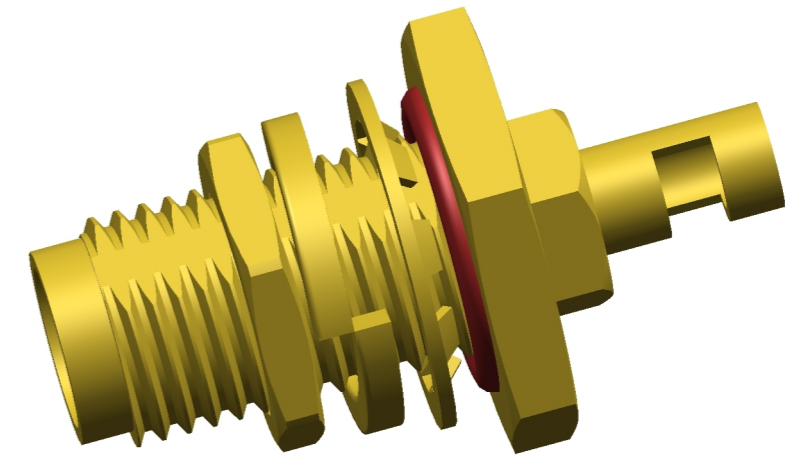


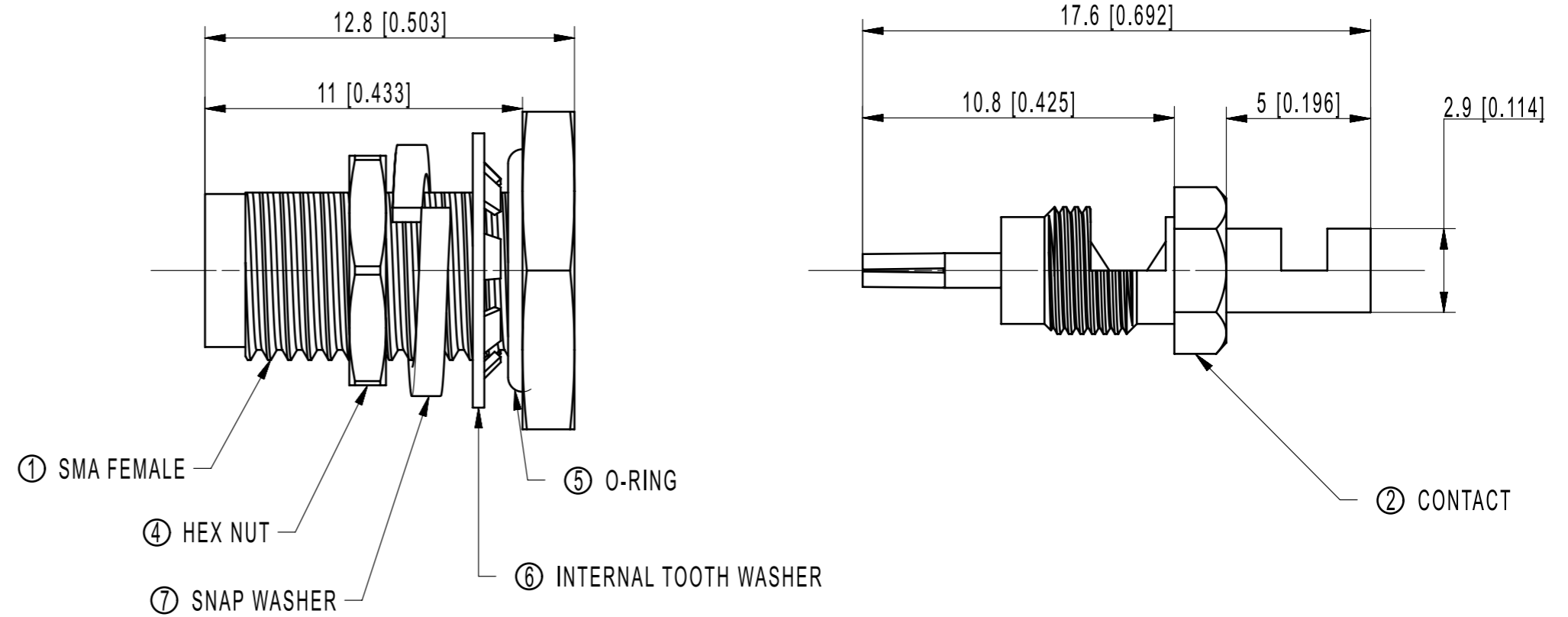
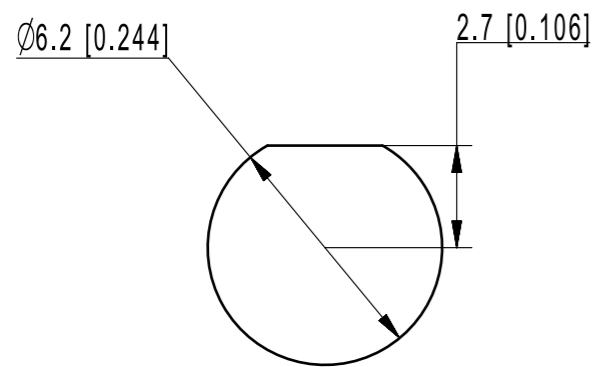
UNIT	DATE	DESCRIPTION
25.4[1.000]	04/02/26	MODIFY DRAWING FORMAT


NOTE:

1. IMPEDANCE: 50 Ohms;
2. METAL COMPONENTS: NO BURRS, SCRATCHES, OR PLATING PEELING ON SURFACE;



SCALE 5:1



DESCRIPTION	MATERIAL	FINISH		THIRD-ANGLE PROJECTION	DATE	 <b>S01-BOF37-11BS00</b> <b>FOR REFERENCE ONLY</b> <b>SUBJECT TO THE ACTUAL PRODUCT</b>
7	SNAP WASHER	BRASS	GOLD PLATE	1	04/02/26	
6	INTERNAL TOOTH WASHER	BRASS	GOLD PLATE	1	APPROVED BY	
5	O-RING	RUBBER	NONE	1	CHECKED BY	
4	HEX NUT	BRASS	GOLD PLATE	1	DESIGNED BY	
3	INSULATION	PTFE	NONE	1	ZZP	LB
2	CONTACT	BRASS	GOLD PLATE	1	04/02/26	04/02/26
1	SMA FEMALE	BRASS	GOLD PLATE	1	UNITS: mm[IN]	SCALE: N/A
					TOLERANCE	REVISION: A
					X.X ±0.10	
					X.XX ±0.05	
					X° ±0.1°	
					Tel:86-0755-25614980 Email:info@rfsupplier.com Website:www.rfsupplier.com	