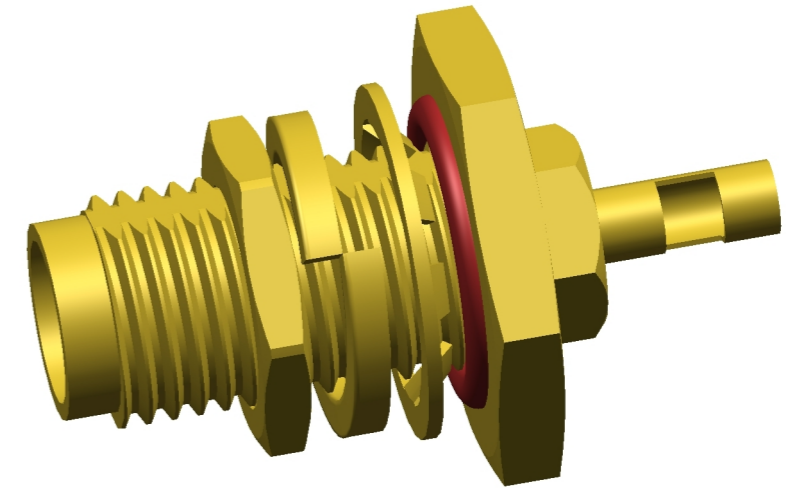


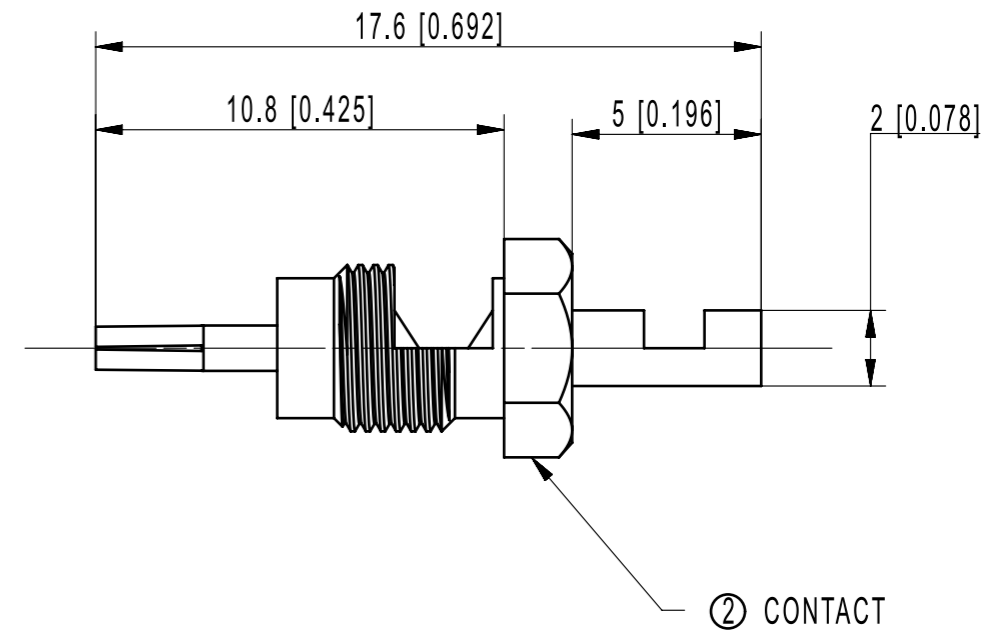
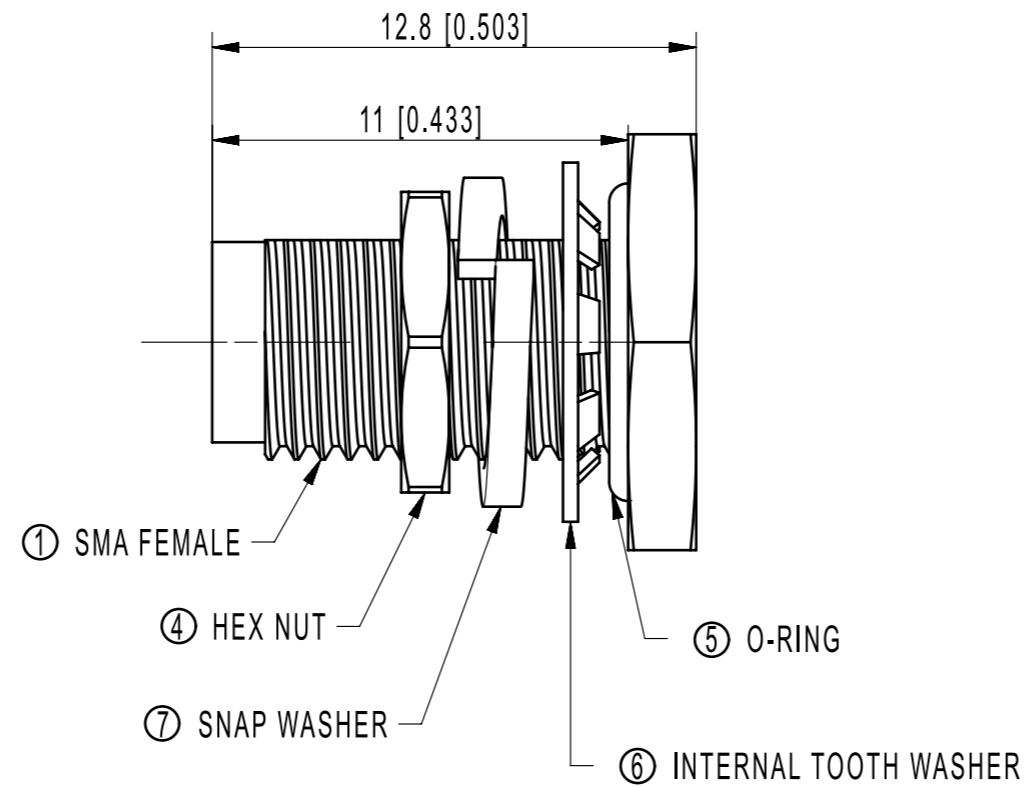
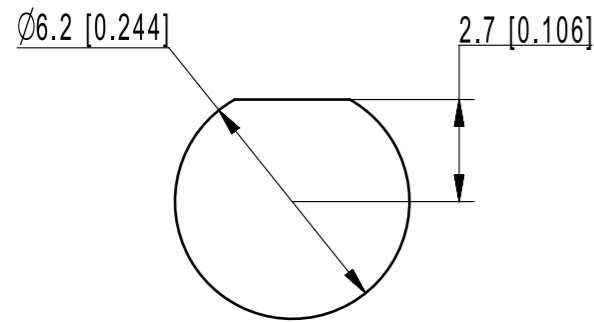
UNIT	DATE	DESCRIPTION
25.4[1.000]	04/02/26	MODIFY DRAWING FORMAT

NOTE:

1. IMPEDANCE: 50 Ohms;
2. METAL COMPONENTS: NO BURRS, SCRATCHES, OR PLATING PEELING ON SURFACE;



SCALE 5:1



7	SNAP WASHER	BRASS	GOLD PLATE	1
6	INTERNAL TOOTH WASHER	BRASS	GOLD PLATE	1
5	O-RING	RUBBER	NONE	1
4	HEX NUT	BRASS	GOLD PLATE	1
3	INSULATION	PTFE	NONE	1
2	CONTACT	BRASS	GOLD PLATE	1
1	SMA FEMALE	BRASS	GOLD PLATE	1
	DESCRIPTION	MATERIAL	FINISH	

THIRD-ANGLE PROJECTION		DATE
		04/02/26
APPROVED BY	CHECKED BY	DESIGNED BY
ZZP	DZ	LB
04/02/26	04/02/26	04/02/26
UNITS: mm[IN]	SCALE: N/A	REVISION: A
TOLERANCE		
X.X	±0.10	
X.XX	±0.05	
X°	±0.1°	



S01-BOF13-11BS00

FOR REFERENCE ONLY

SUBJECT TO THE ACTUAL PRODUCT

Tel:86-0755-25614980  
 Email:info@rfsupplier.com  
 Website:www.rfsupplier.com