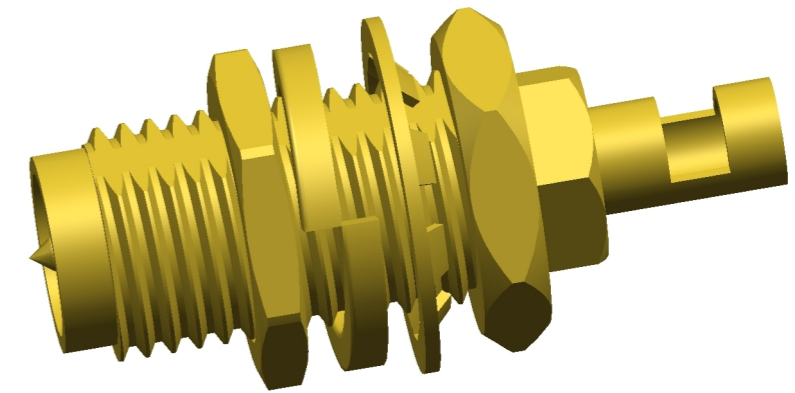


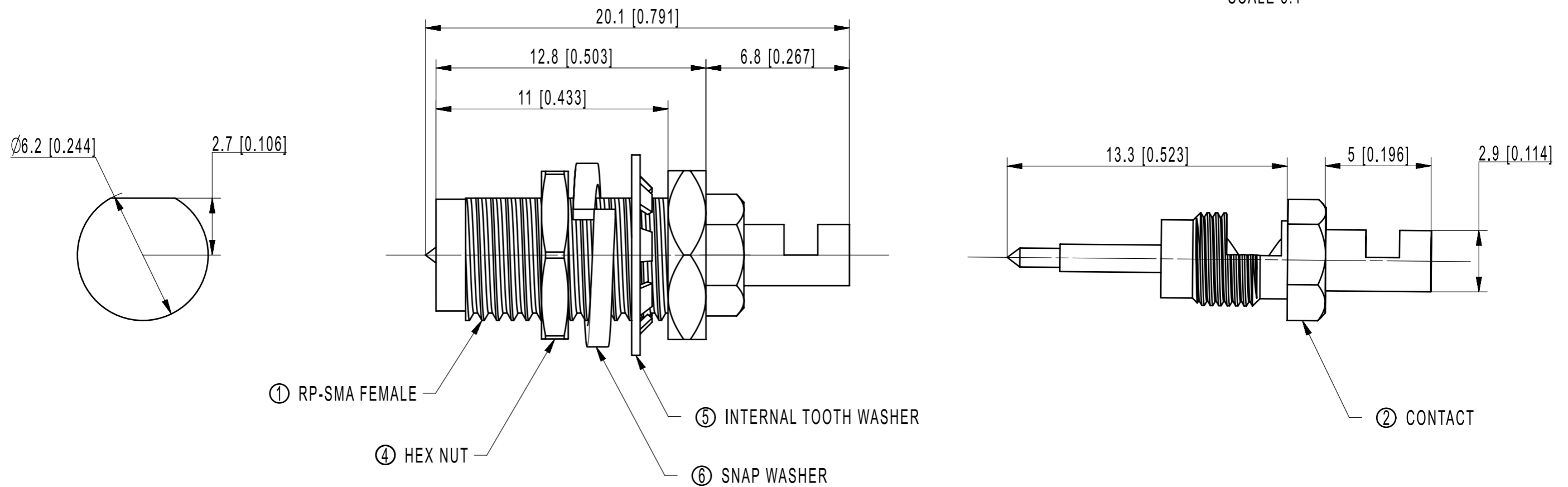
UNIT	DATE	DESCRIPTION
25.4[1.000]	04/02/26	MODIFY DRAWING FORMAT


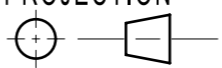
NOTE:

1. IMPEDANCE: 50 Ohms;
2. METAL COMPONENTS: NO BURRS, SCRATCHES, OR PLATING PEELING ON SURFACE;



SCALE 5:1



					THIRD-ANGLE PROJECTION		DATE	 S02-BHF37-11BS00 FOR REFERENCE ONLY SUBJECT TO THE ACTUAL PRODUCT
							04/02/26	
6	SNAP WASHER	BRASS	GOLD PLATE	1	APPROVED BY	CHECKED BY	DESIGNED BY	
5	INTERNAL TOOTH WASHER	BRASS	GOLD PLATE	1	ZZP	DZ	LB	
4	HEX NUT	BRASS	GOLD PLATE	1	04/02/26	04/02/26	04/02/26	
3	INSULATION	PTFE	NONE	1	UNITS: mm[IN]	SCALE: N/A	REVISION: A	
2	CONTACT	BRASS	GOLD PLATE	1	TOLERANCE			
1	RP-SMA FEMALE	BRASS	GOLD PLATE	1	X.X ±0.10	Tel:86-0755-25614980		
					X.XX ±0.05	Email:info@rfsupplier.com		
					X° ±0.1°	Website:www.rfsupplier.com		
DESCRIPTION	MATERIAL	FINISH						