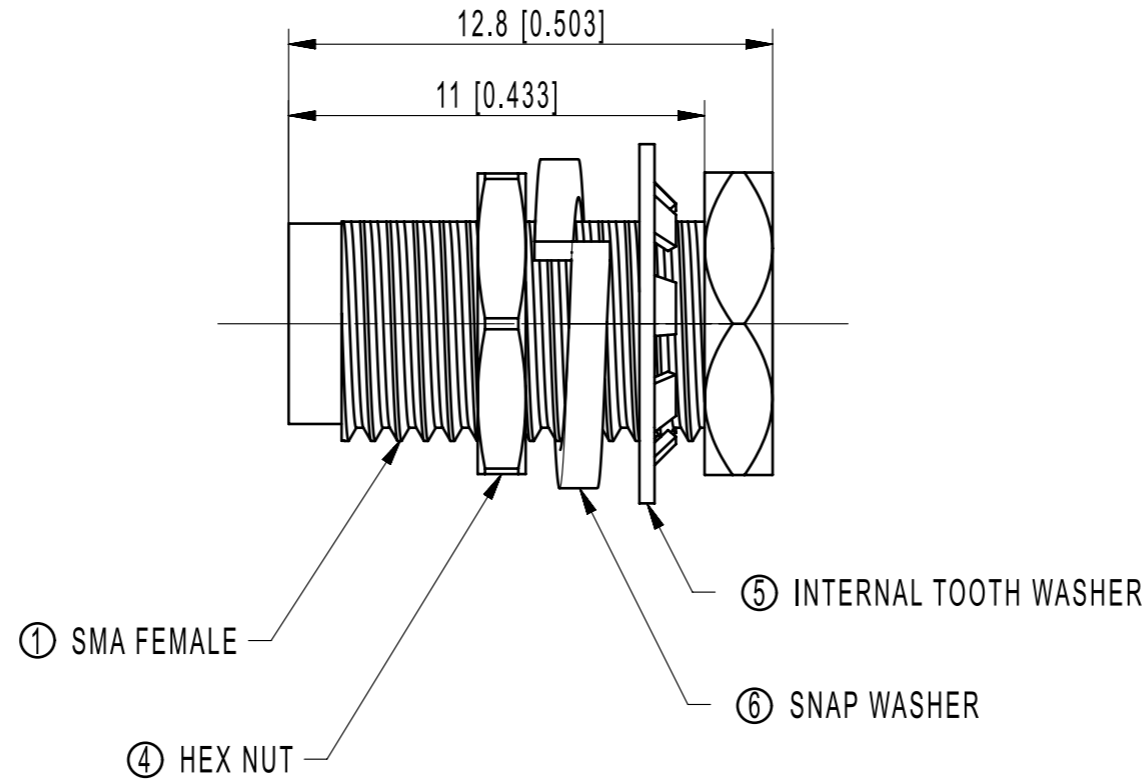
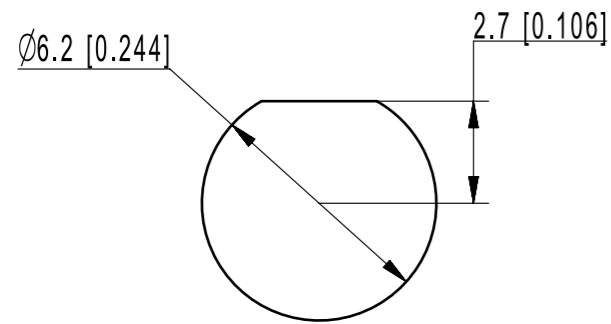
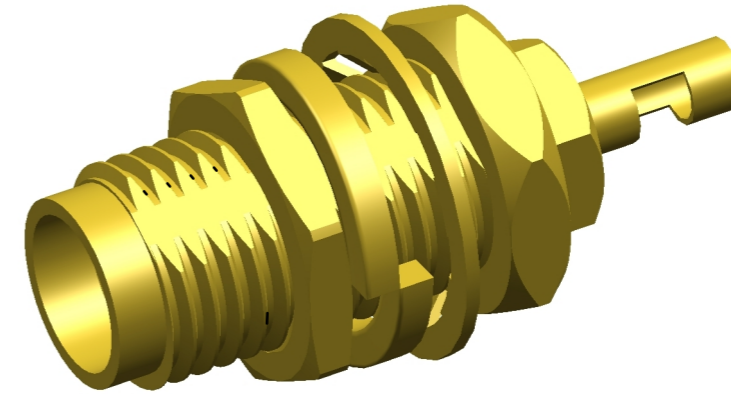
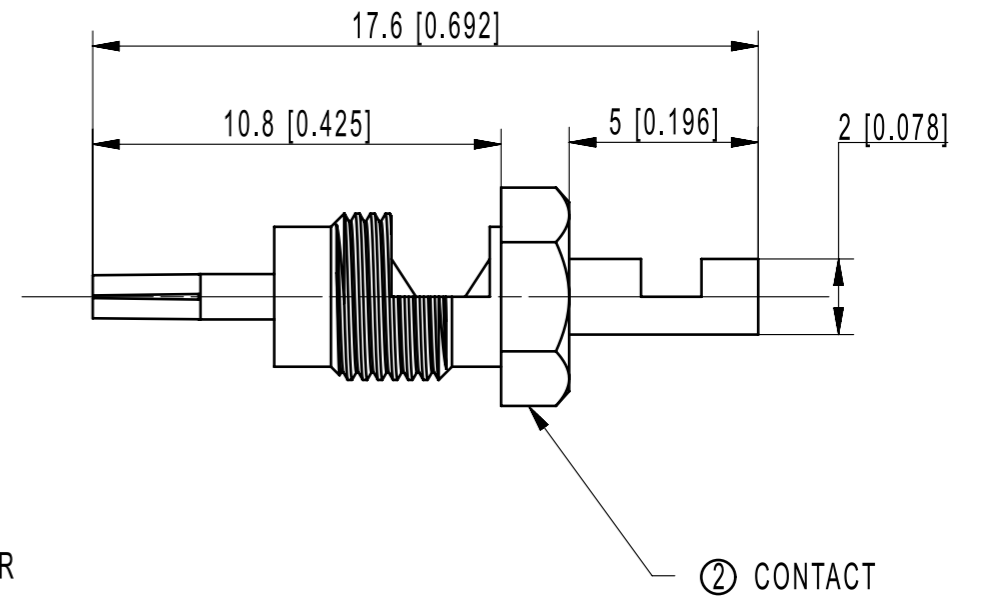


UNIT	DATE	DESCRIPTION
25.4[1.000]	03/02/26	MODIFY DRAWING FORMAT

NOTE:  
 1. IMPEDANCE: 50 Ohms;  
 2. METAL COMPONENTS: NO BURRS, SCRATCHES, OR PLATING PEELING ON SURFACE;



SCALE 5:1



				THIRD-ANGLE PROJECTION	DATE		
					03/02/26		
6	SNAP WASHER	BRASS	GOLD PLATE	1	APPROVED BY	CHECKED BY	DESIGNED BY
5	INTERNAL TOOTH WASHER	BRASS	GOLD PLATE	1	ZZP	DZ	LB
4	HEX NUT	BRASS	GOLD PLATE	1	03/02/26	03/02/26	03/02/26
3	INSULATION	PTFE	NONE	1	UNITS: mm[IN]	SCALE: N/A	REVISION: A
2	CONTACT	BRASS	GOLD PLATE	1	TOLERANCE		
1	SMA FEMALE	BRASS	GOLD PLATE	1	X.X ±0.10	Tel:86-0755-25614980 Email:info@rfsupplier.com Website:www.rfsupplier.com	
	DESCRIPTION	MATERIAL	FINISH		X.XX ±0.05		
					X° ±0.1°		



**S01-BHF13-11BS00**

**FOR REFERENCE ONLY**

**SUBJECT TO THE ACTUAL PRODUCT**