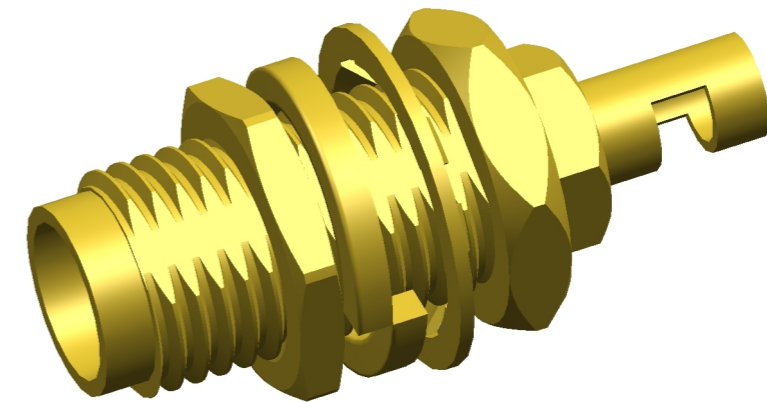


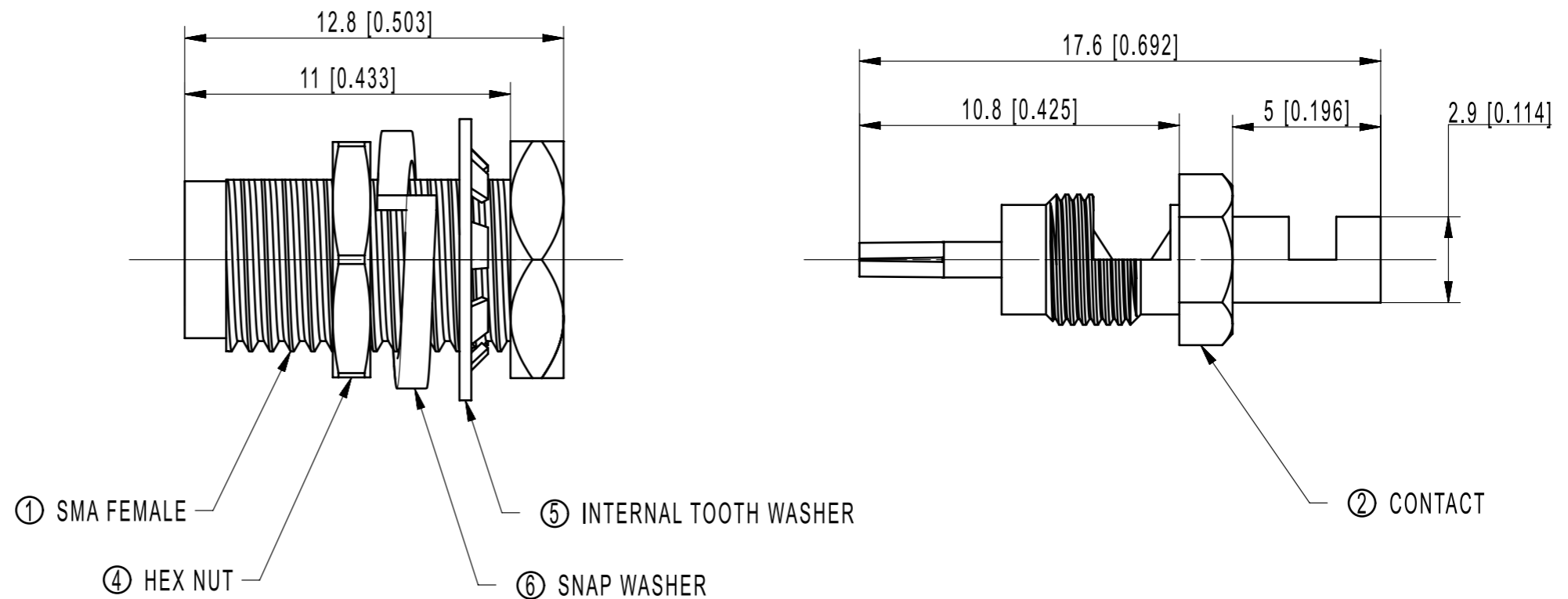
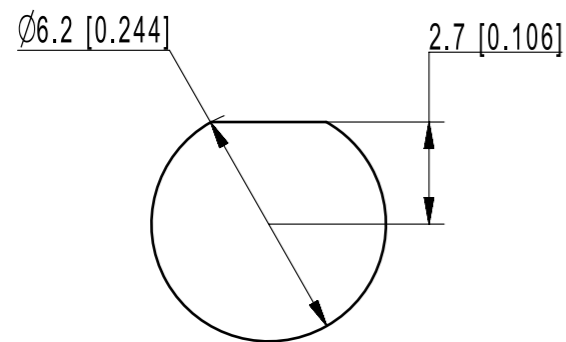
UNIT	DATE	DESCRIPTION
25.4[1.000]	04/02/26	MODIFY DRAWING FORMAT

NOTE:

1. IMPEDANCE: 50 Ohms;
2. METAL COMPONENTS: NO BURRS, SCRATCHES, OR PLATING PEELING ON SURFACE;



SCALE 5:1



				THIRD-ANGLE PROJECTION	DATE
6	SNAP WASHER	BRASS	GOLD PLATE	1	04/02/26
5	INTERNAL TOOTH WASHER	BRASS	GOLD PLATE	1	
4	HEX NUT	BRASS	GOLD PLATE	1	
3	INSULATION	PTFE	NONE	1	
2	CONTACT	BRASS	GOLD PLATE	1	
1	SMA FEMALE	BRASS	GOLD PLATE	1	
	DESCRIPTION	MATERIAL	FINISH		

APPROVED BY	CHECKED BY	DESIGNED BY
ZZP	DZ	LB
04/02/26	04/02/26	04/02/26
UNITS: mm[IN]	SCALE: N/A	REVISION: A
TOLERANCE	Tel:86-0755-25614980	
X.X ±0.10	Email:info@rfsupplier.com	
X.XX ±0.05	Website:www.rfsupplier.com	
X° ±0.1°		



S01-BHF37-11BS00

FOR REFERENCE ONLY

SUBJECT TO THE ACTUAL PRODUCT